

**Features**

Meets requirements for efficiency rebates

14¼ framing depth

Mobile home compatible

Convertible to co-linear venting

DELRAY / FROM MINIMALIST TO INDULGENCE

**DELRAY**  
LINEAR

**ELEGANTLY SIMPLE**

**DRL3613**  
**DRL4813**  
**DRL6013**

SINGLE SIDED  
DIRECT VENT

**DELRAY FULL LOAD  
LINEAR**

**Standard**

- Concealed burner with Ice fireglass
- Multi-function remote control
- Remote controlled fans
- Micro mesh safety screen
- Black reflective glass
- Halogen downlighting
- Battery backup
- Cement board

**Options**

- Propane conversion kit
- Adjustable trim kits
- Speckled stones, driftwood, glass media
- Heat management
- WiFi phone app control

**DELRAY BASIC  
LINEAR**

**Standard**

- Concealed burner with Ice fireglass
- Cement board

**Options**

- Remote control
- Fans
- Micro mesh safety screen
- Black reflective glass
- Propane conversion kit
- Adjustable trim kits
- Battery backup
- Speckled stones, driftwood, glass media
- Heat management



**QUICK DIMENSIONS**

	DRL3613		DRL4813		DRL6013	
	UNIT	FRAM.	UNIT	FRAM.	UNIT	FRAM.
F.WIDTH	45¼	43¾	57¼	55¾	69¼	68½
B.WIDTH	41¾	43¾	53¼	55¾	65¼	68½
HEIGHT	26¾	33¼	26¾	33¼	26¾	33¼
DEPTH	12¾	14¼	12¾	14¼	12¾	14¼
VIEWING	36½ x 14¼		48½ x 14¼		60½ x 14¼	

**BTU LISTING**

**DRL3613NI-2** / 16,000  
**DRL3613LI-2** / 16,000  
**DRL4813NI-2** / 21,000  
**DRL4813LI-2** / 19,000

**DRL6013NI-2** / 28,000  
**DRL6013LI-2** / 25,000  
 BTU is the same for basic and for fully loaded units

**EFFICIENCY P.4. 1-15**

**DRL3613NI** / 71%  
**DRL3613NI-2** / 71%  
**DRL3613LI** / 71%  
**DRL3613LI-2** / 71%

**DRL4813NI** / 63%  
**DRL4813NI-2** / 63%  
**DRL4813LI** / 60%  
**DRL4813LI-2** / 60%

**DRL6013NI** / 67%  
**DRL6013NI-2** / 64%  
**DRL6013LI** / 66%  
**DRL6013LI-2** / 64%





MONTIGO / DELRAY / LINEAR / DRL3613NI-2 / DRIFTWOOD SPECKLED STONES



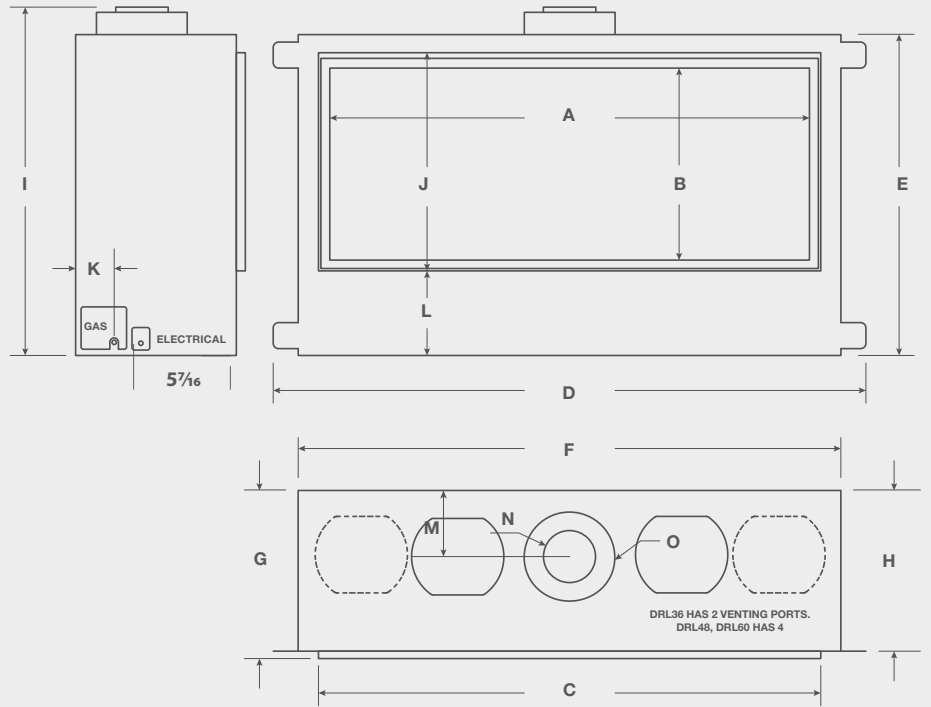
WALL REMOTE<sup>†</sup>  
EC1550

MONTIGO / DELRAY / LINEAR / DRL6013NI-2 / DRIFTWOOD SPECKLED STONES



WIFI PHONE APP  
CONTROL<sup>†</sup>  
SIT-WIFI

### DELRAY DIMENSIONS



	A	B	C	D	E	F	G	H	I	J	K	L	M	N	O
DRL36	36½	14 <sup>11</sup> / <sub>16</sub>	38¾	45¼	24¼	41¾	12¾	12 <sup>5</sup> / <sub>16</sub>	26¾	16 <sup>5</sup> / <sub>8</sub>	3 <sup>3</sup> / <sub>8</sub>	6 <sup>9</sup> / <sub>16</sub>	5	4	7
DRL48	48½	14 <sup>11</sup> / <sub>16</sub>	50 <sup>5</sup> / <sub>16</sub>	57¼	24½	53 <sup>7</sup> / <sub>16</sub>	12¾	12 <sup>5</sup> / <sub>16</sub>	26¾	16 <sup>5</sup> / <sub>8</sub>	3 <sup>3</sup> / <sub>8</sub>	6 <sup>9</sup> / <sub>16</sub>	5	4	7
DRL60	60½	14 <sup>11</sup> / <sub>16</sub>	62½	69¼	24½	65 <sup>7</sup> / <sub>16</sub>	12¾	12 <sup>5</sup> / <sub>16</sub>	26¾	16 <sup>5</sup> / <sub>8</sub>	3 <sup>3</sup> / <sub>8</sub>	6 <sup>9</sup> / <sub>16</sub>	5	4	7



OPTIONS & FEATURES

REMOTE<sup>††</sup>  
RX200\*\*

<sup>†</sup>Standard for full load units  
<sup>††</sup>Full load units only



BLACK GLASS<sup>†</sup>  
RBGDRL\*\*



DOWNLIGHTING<sup>††</sup>



TRIM KIT  
DRLT\*\*.\*

# DELRAY FINISHING

TRADITIONAL FINISHING • COOL WALL RELEASE / COOL WALL ADVANTAGE

The finishing options for the DelRay Linear are as diverse as the unit itself. Create a surface safe for combustibles with the Cool Wall Release or Cool Wall Advantage kit, or keep it simple with traditional finishing. It's all up to you.

## Traditional Finishing

**DRL3613 NON-VENTED  
CHASE SURFACE  
TEMPERATURES**

Requires included cement board.

**130°F**  
16" ABOVE  
OPENING

**140°F**  
12" ABOVE  
OPENING

**160°F**  
8" ABOVE  
OPENING

**180°F**  
4" ABOVE  
OPENING

Standard  
Drywall

Included  
Cement Board



### Trim Kits

For uneven and ledgestone finishing, we developed a slim finishing kit that fits directly to the fireplace frame to conceal the finished edge.

These kits are adjustable and cover finishing depths up to 2"

COOL WALL ADVANTAGE / TV KIT



### CHASE VENTING VALANCE

Prevent heat from being trapped within the chase by leaving the top open to allow heat to ventilate back into the room.

## Cool Wall Release

95°F  
16" ABOVE  
OPENING

100°F  
12" ABOVE  
OPENING

100°F  
8" ABOVE  
OPENING

105°F  
4" ABOVE  
OPENING

Combustible  
Finish

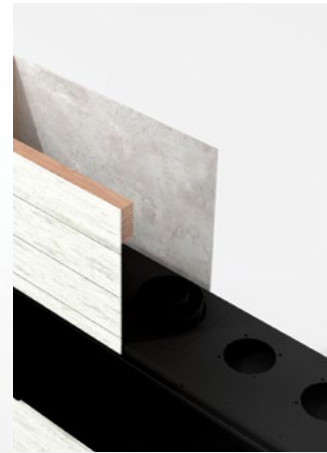
### DRL3613 VENTED CHASE SURFACE TEMPERATURES

DRL3613  
Minimum 70" inch opening  
DRL4813  
Minimum 100" inch opening  
DRL6013  
Minimum 120" inch opening

Temperatures shown are based on  
a DRL3613NI-2 with vented chase

Minimum 6' chase  
(When venting ports open or  
using Cool Wall Advantage kit)

Included cement board and stud  
heat deflector not required when  
using the Cool Wall Release or  
Cool Wall Advantage System.



### VENTING PORTS

Opening the venting  
ports diverts  
heat though the  
chase, resulting in  
lower wall surface  
temperatures

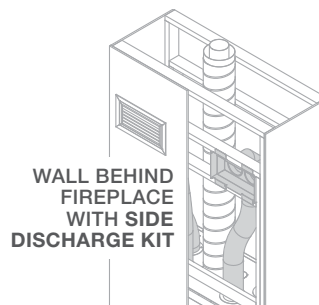
COOL WALL ADVANTAGE / SIDE DISCHARGE KIT

## Cool Wall Advantage

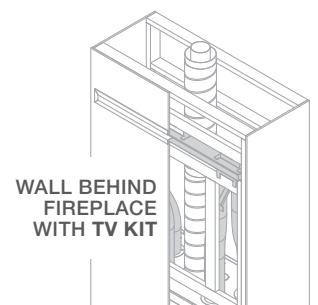
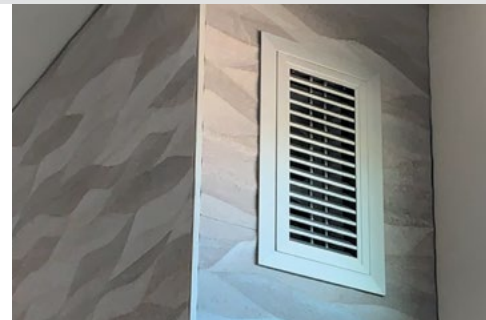
Cool Wall Advantage kits convection pulls the heat through the attached vents and distributes it where it belongs - in the room.

### HEAT DIVERSION INTO AN ADJACENT ROOM

Leverage the heat from  
your fireplace to warm a  
room that shares a wall  
with the unit.



WALL BEHIND  
FIREPLACE  
WITH SIDE  
DISCHARGE KIT



WALL BEHIND  
FIREPLACE  
WITH TV KIT



# Unit Specifications

## ICON LEGEND

AVAILABLE	+	NOT AVAILABLE	-
DEDICATED	◊	STANDARD	◦

	BTU NATURAL GAS	BTU LIQUID PROPANE	VENTING	CLEARANCE TOP	CLEARANCE SIDES	CLEARANCE BACK	CLEARANCE FLOOR	FRONT VIEWING AREA	FRONT GLASS TYPE	STANDARD MEDIA	MICRO MESH SAFETY SCREEN	POWERVENT	REMOTE CONTROL	FANS	UPLIGHTING	DOWNLIGHTING
DRL3613*1-2	16,000	16,000	4"/7"	21	1	2	0	36½ X 14⅛	TEMPERED	HW1157	◦	+	◦	◦	-	◦
DRL3613*1	16,000	16,000	4"/7"	21	1	2	0	36½ X 14⅛	TEMPERED	HW1157	+	+	+	-	-	-
DRL4813*1-2	21,000	19,000	4"/7"	21	1	2	0	48½ X 14⅛	TEMPERED	HW1157	◦	+	◦	◦	-	◦
DRL4813*1	21,000	19,000	4"/7"	21	1	2	0	48½ X 14⅛	TEMPERED	HW1157	+	+	+	-	-	-
DRL6013*1-2	28 000	25 000	4"/7"	36	1¾	2	0	60 ½ X 14 ⅛	TEMPERED	HW1157	◦	+	◦	◦	-	◦
DRL6013*1	28 000	25 000	4"/7"	36	1¾	2	0	60 ½ X 14 ⅛	TEMPERED	HW1157	+	+	+	+	-	-

## DELRAY LINEAR FRAMING

	A	B	C	D	E	F
DRL3613	33⅛	14¼	43⅜	47½	67⅞	½
DRL4813	33⅛	14¼	55⅜	56⅛	79¼	½
DRL6013	33⅛	14¼	68⅞	64½	91⅜	½

Header must be on edge to meet clearance to venting

